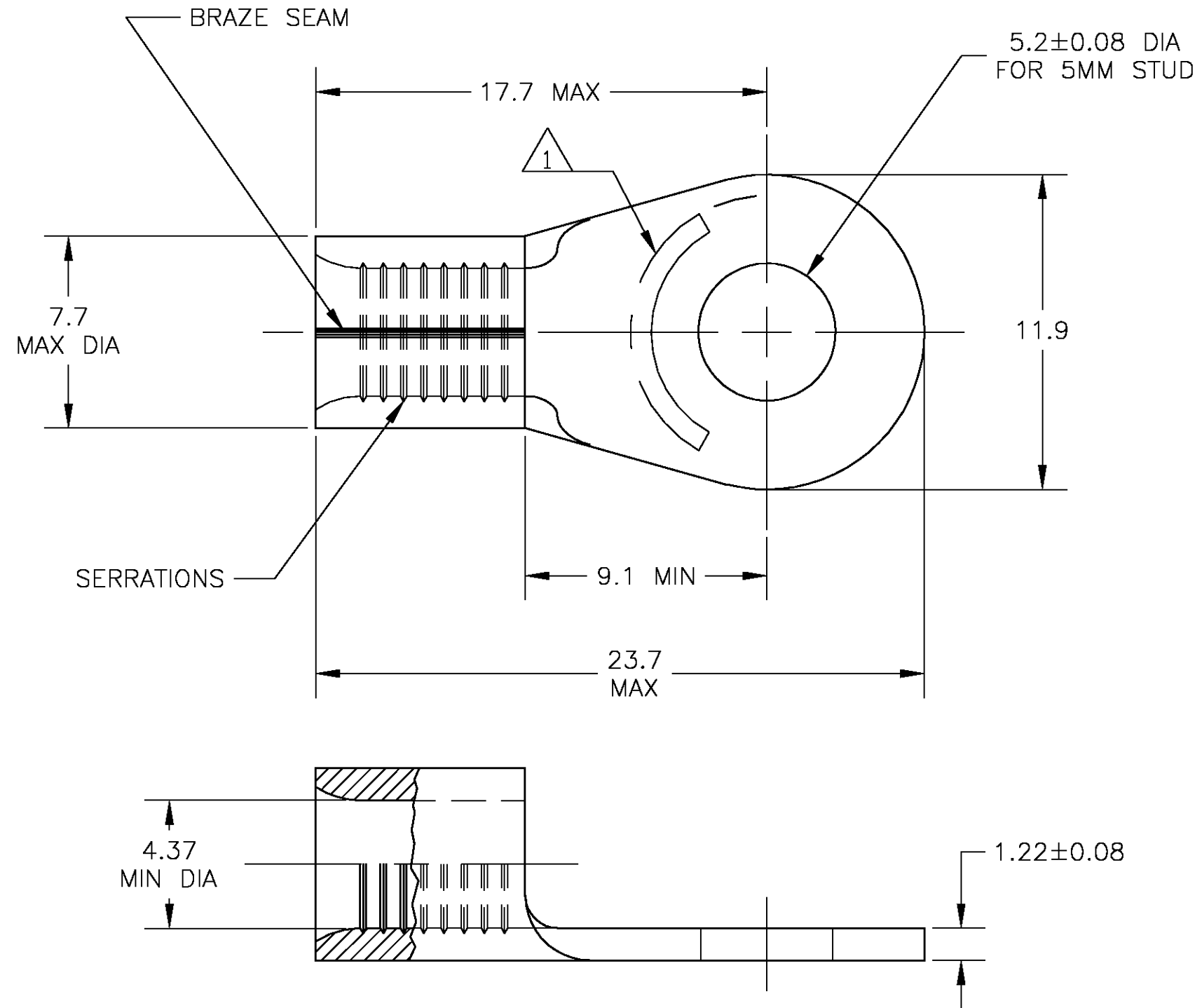


THIS DRAWING IS UNPUBLISHED. RELEASED FOR PUBLICATION  
 © COPYRIGHT BY TYCO ELECTRONICS CORPORATION. ALL RIGHTS RESERVED.

LOC	DIST	REVISIONS					
G	05	P	LTR	DESCRIPTION	DATE	DWN	APVD
			B1	REV PER ECR 05-004247	08JUN05	JR	TM



- 1 STAMP "AMP 8\*" , APPROX AS SHOWN
- 2 COPPER PER ASTM B-152, ANNEALED
- 3 0.00254 MIN THK TIN PER ASTM B-545
- 4 170°C MAX RECOMMENDED OPERATING TEMPERATURE.
- 5 WIRE CROSS SECTIONAL AREA RANGE: 6.64-10.5mm<sup>2</sup> ( 13-100-20,800 ) CMA SOLID OR STRANDED

<b>AMP</b> WIRE RANGE
8 AWG SOLID OR STRANDED

500	LOOSE PIECE	160013
QTY	PACKAGE TYPE	PART NO.

THIS DRAWING IS A CONTROLLED DOCUMENT.		DWN	jr ruth	08JUN05	<b>tyco</b> <b>Electronics</b>	Tyco Electronics Corporation				
DIMENSIONS: MM INCHES		CHK	T MICHIELUTTI	08JUN05		Harrisburg, Pa 17105-3608				
		APVD	T MICHIELUTTI	08JUN05		NAME TERMINAL, RING TONGUE, SOLISTRAND				
		PRODUCT SPEC								
MATERIAL		FINISH			APPLICATION SPEC	SIZE	CAGE CODE	DRAWING NO	RESTRICTED TO	
- 2		- 3			WEIGHT	A3	00779	C-160013	-	
CUSTOMER DRAWING					SCALE	1:1	SHEET	1 OF 1	REV	B1